

PF20

ondrives

Precision Gears

Worm Gear Reducers

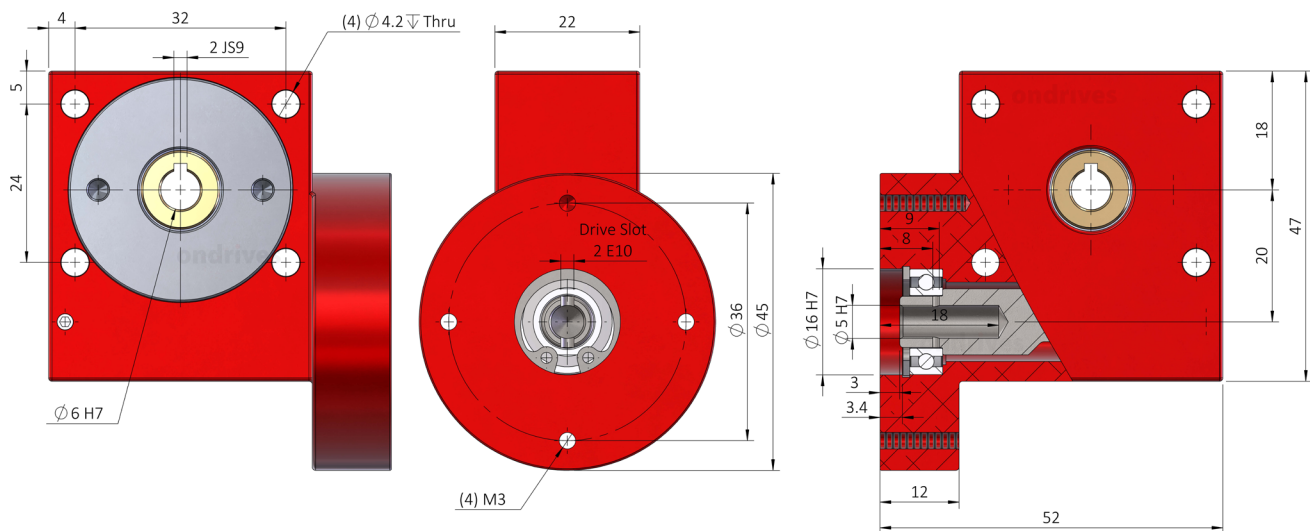
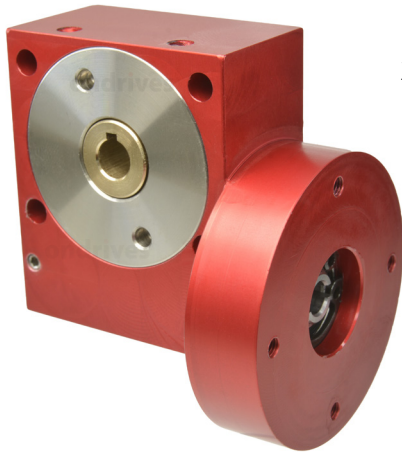
Flange Input • 5mm Input Bore • 6mm Output Bore
20mm Centre Distance • T_{2max} 3Nm – 5Nm **10:1 - 120:1**

Worm Gear Rotation Direction.

RH-Right Hand

When input rotation is clockwise, output gear is pulled towards input.

When input is counter-clockwise, output gear is pushed away from input.



Output Backlash j	PFart Numbers	Output Backlash j AR	Gear Ratio i	Efficiency η	Lead Direction	Reflected Inertia at InPFut $kg \cdot m^2$
$\leq 0.50^\circ$		$\leq 0.066^\circ$		n1 nom		
	$\leq 0.13^\circ$					
PF20-10	PF20-10A	PF20-10AR	10:1	86%	Right Hand	2.53×10^{-7}
PF20-12	PF20-12A	PF20-12AR	12:1	85%	Right Hand	2.43×10^{-7}
PF20-15	PF20-15A	PF20-15AR	15:1	84%	Right Hand	2.35×10^{-7}
PF20-20	PF20-20A	PF20-20AR	20:1	78%	Right Hand	2.28×10^{-7}
PF20-30	PF20-30A	PF20-30AR	30:1	71%	Right Hand	2.24×10^{-7}
PF20-60	PF20-60A	PF20-60AR	60:1	60%	Right Hand	2.21×10^{-7}
PF20-120	PF20-120A	PF20-120AR	120:1	32%	Right Hand	2.00×10^{-7}

Weight: 0.23 kg.

Nom. Input Speed [S1 T₂] n1 nom: 1,000 min⁻¹ (r/min)

Max. Input Speed n1 max: 3,000 min⁻¹ (r/min)

Lubrication: Grease Shell Gadus S5 V4P 2.5

Lubrication Temperature: Max. Operating $\approx 60^\circ c$

Max. Output Radial Load F_{r2}: 120N.

Max. Output Axial Load F_{a2}: 50N.

Testing in your application is necessary.

You will need to assess duty cycles and confirm suitability with your own calculations.

Figures listed are for guidance only.

Cooling may be needed dependent on application.

ondrives
Precision Gears

T: +44 1246 455500

sales@ondrives.com www.ondrives.com

Updated March 2024 subject to change for use as a guide only.

Worm Gear Reducers

Worm Gear Reducers

Flange Input • 5mm Input Bore • 6mm Output Bore
20mm Centre Distance • T_{2max} 3Nm – 5Nm **10:1 - 120:1**

P Series Wormwheel Gearboxes

